



Portable Mixing Solutions

For Industrial

Applications



Optimum Agitation Design

... for Batch and Continuous Processing

Successful processes involve performance on many levels — from the design process through construction, commissioning and onto process operation — Chemineer is poised to consistently provide high quality products and services.

Effective solutions for your mechanical and process specifications are accomplished using a solid range of Chemineer top, bottom and side entry mixers. Exceptional engineering capabilities also enable us to provide custom solutions for your mixing and mechanical challenges.

Rapid response: Industry-leading, sophisticated process and mechanical design software quickly generates solutions complete with quotations, custom assembly/dimension drawings and design loads in paper or electronic formats. Computational Fluid Mixing and Laser Doppler Anemometry can also be used to address process challenges.

Mechanical spectrum:

- Continuous or batch mixing
- Flexible selection of output speeds
- Mixers up through 5 HP
- Shaft diameters through 1 1/2 inches
- Positive shaft attachment eliminates inherent problems with grip spring designs
- 316/316L stainless as standard. High alloys, finishes and coatings available upon request
- Impellers: Many types available for water-like and viscous mixing
- NEMA electric and air (dry or lubricated) motors
- Controls and monitoring devices available
- Wash down duty gear reducers available: If the motor is washdown duty, make sure the gear drive is as well



Gear-Reduced DT Mixer

- 1 Industry standard, off-the-shelf, NEMA electric or air motor
- 2 Advanced, heat-treated gearing
- 3 Gear drive is permanently lubricated with high-performance, synthetic grease
- 4 Sealed gear drive prevents both product and lubricant contamination
- 5 Helical, AGMA quality gears provide smooth, quiet operation
- 6 Elastomeric lip seal
- 7 Heavy-duty, permanently lubricated and sealed-for-life bearings
- 8 Chuck coupling with dual set-screws or bolted flange coupling (also available), allow for shaft removal without disassembling the unit

Open Tank Models

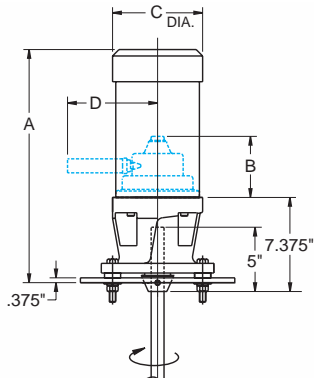
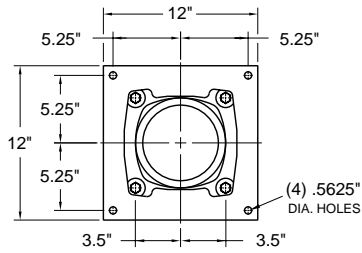
- DTD models
- Flexible configurations to meet your requirements
- Easy installation
- Low maintenance
- Direct or gear drive capability
- Shaft attachment: Chuck, flanged or threaded couplings
- Operating speed flexibility: Ask for designs below first critical speed as they eliminate the need for programming speed avoidance ranges
- Right angle drives offer low head room for tight spaces
- In-line mixers have small footprints for minimum interference with nozzles and process piping



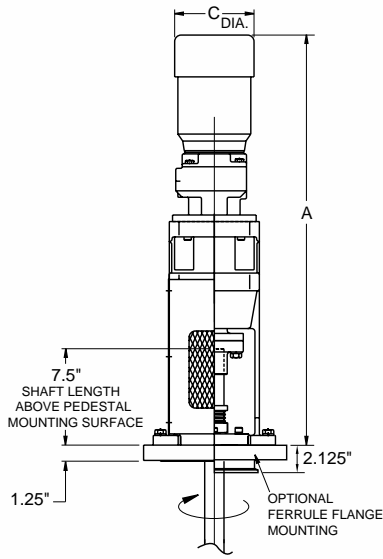
Gear-Reduced Mixers are available with clamp, cup plate, vibration insulation plate, or 10° angle riser (pictured).



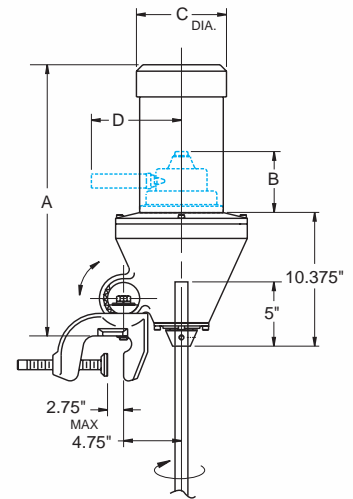
Dimensions



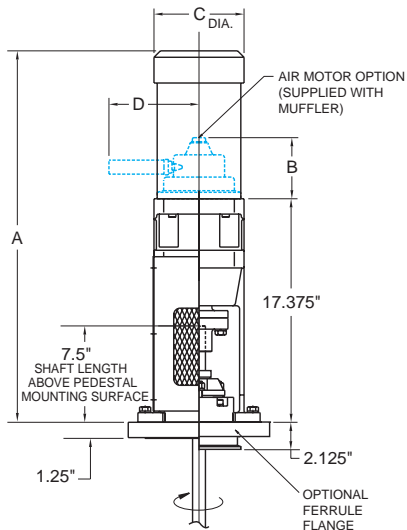
30DTD



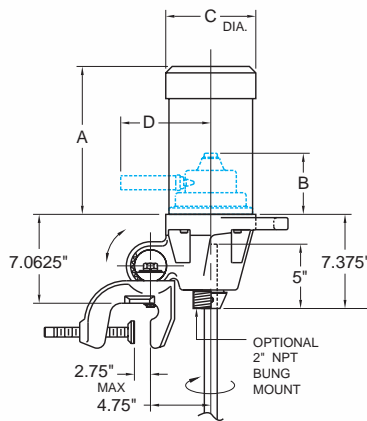
40TNS



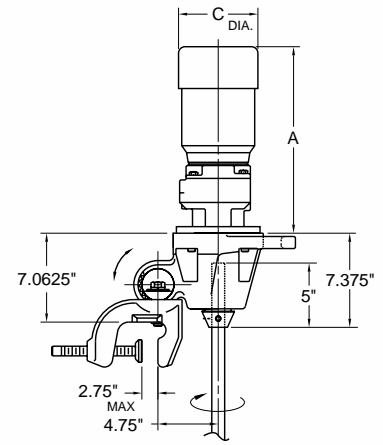
50DTC



30DTN



10/30XPC

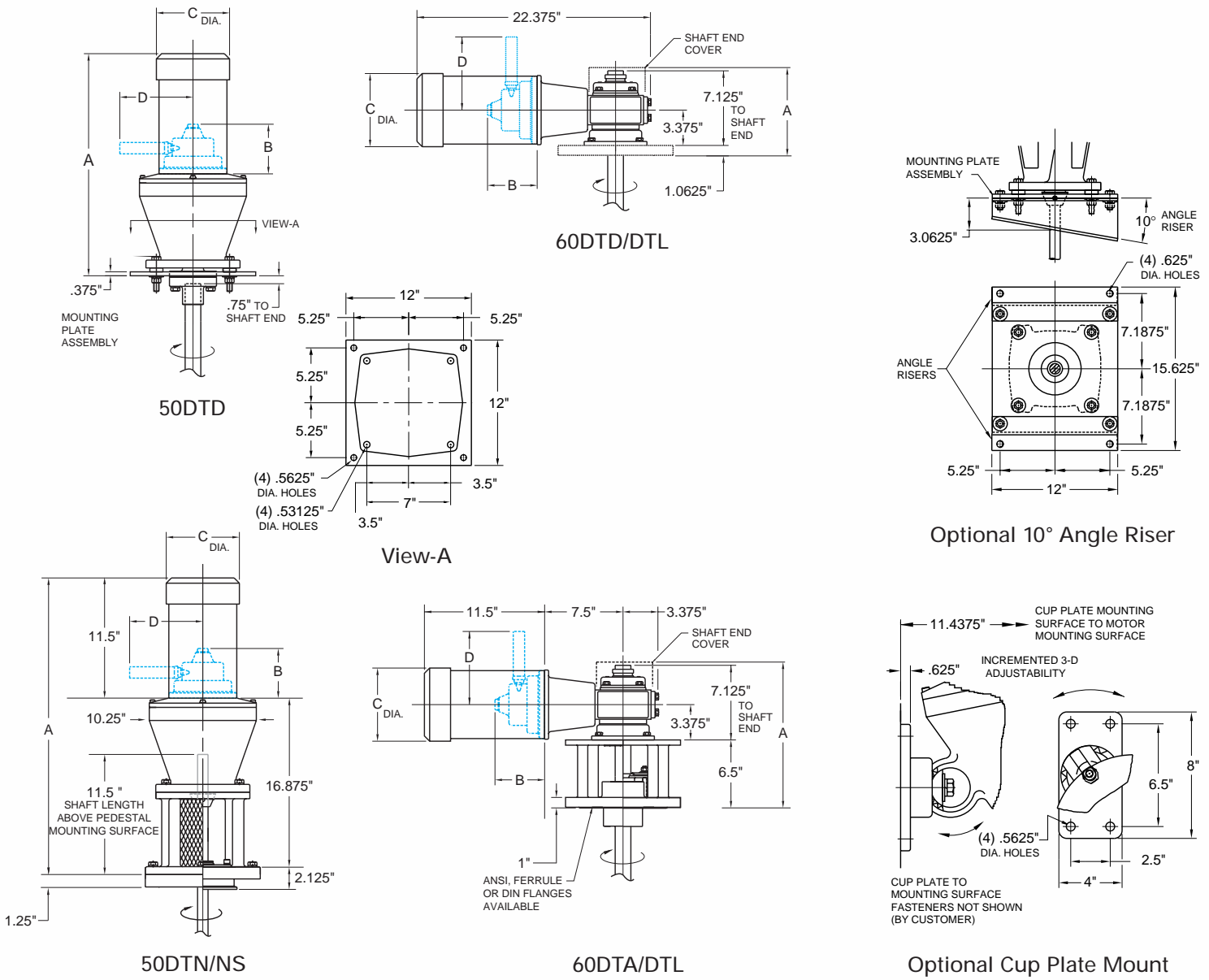


40XPC

Quick Selection Chart

Typical Product	Viscosity (CP)	Volume (Gallons)								
		25	50	100	200	500	1,000	2,000	3,000	5,000
Water, Kerosene	1	10XP-0.25	10XP-0.25	10XP-0.25	10XP-0.25	30XP-0.50	40XP-0.25	40XP-0.25	40XP-0.50	40XP-1.0
Olive Oil	100	10XP-0.25	10XP-0.25	10XP-0.25	30XP-0.25	40XP-0.25	40XP-0.25	40XP-0.50	40XP-1.0	40XP-1.0
Glucose, Latex Paint	250	10XP-0.25	10XP-0.50	10XP-0.50	40XP-0.25	40XP-0.25	40XP-0.50	40XP-1.0	40XP-1.0	40XP-1.0
Glycerin	500	10XP-0.25	10XP-0.50	40XP-0.25	40XP-0.50	40XP-0.25	40XP-1.0	40XP-1.0	50DT-1.5	
Castor Oil	1000	30XP-0.50	20DTD-0.25	20DTD-0.25	50DTD-1.0	40XP-0.50	50DT-1.5	50DT-1.5	50DT-2.0	

Dimensions



Dimensions Chart

Dimensions in Inches	Model									
	30XPC	30DTD	30DTN	40XPC	40DTNS	50DTC	50DTD	50DTN/NS	60DTA	60DTD & DTL
A	13.25	19.875	30.625	14.5	31.875	25.125	25.25	28.375	14	8.4375
B	4.75	6.25	6.25	—	—	6.25	6.25	6.25	4.75	4.75
C	7	7	7	6.5	6.5	9.5	9.5	7	7	7
D	7	4.5	4.5	—	—	4.5	4.5	4.5	7	7

Sealed Tank Models

- DTNS, DTN, DTA, DTL models
- Mechanical seals
 - Dry or wet running
 - Single, double or gas lift-off designs
 - Others available upon request
- Optional shaft drop collar to facilitate seal removal
- Lip seals and stuffing boxes
- Shaft attachment: Flanged or threaded couplings
- Operating speed flexibility: Request designs below the first critical speed as they eliminate the need for programming inverter speed lock-outs
- Mounting flanges: ANSI, ferrule (tri-clamp), DIN, special



Portable Models

- Rugged cast aluminum housing
 - High strength, low weight design
 - Integral handle for ease of positioning
- Multi-directional clamp for horizontal and vertical adjustment
- Optional mounts
 - Cup plate mounting for increased stability
 - Threaded bung mount for drum mixing with collapsible impeller that fits through opening
- Shaft attachment: Chuck or flanged couplings
- All stainless housings and motors available for superior cleanliness and corrosion protection



Express Mixer Program

Chemineer offers 24–48 hour delivery on an extensive number of standard mixer configurations in order to quickly and efficiently meet your application needs. By selecting one of the off-the-shelf, standard models that are stocked and readily available through the Chemineer Express Mixer Program, you can reduce your downtime and the associated costs.



Optional cup plate allows for periodic shaft angle adjustment while still permanently affixed.



An optional 2" NPT Bung Mount is also available for mixing the contents of standard drums.

Impeller Process Technology

Chemineer's impeller process technology is effectively applied across your spectrum of applications ensuring successful, repeatable results from lab scale to full scale operations.

Chemineer's mixing expertise includes low shear liquid-liquid/solids blending, gas dispersion, high

shear blending and viscous mixing. Whether it is R&D or production phase, we have the expertise to solve your mixing challenges.

An impeller brochure, B710, is available with additional information.



HE-3



SC-3



Maxflo W



BT-6 Gas Dispersion Impeller



JP-3 Marine Propeller



Dispersion Blade



Collapsible Prop



Your Local Contact: