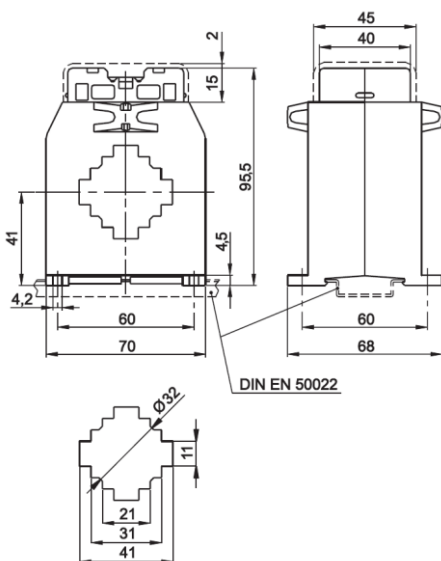
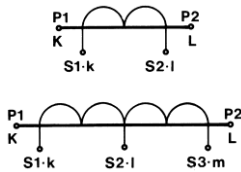


TAC40

Current Transformer 70mm Width suitable for 35mm DIN Rail designed for Busbar 40x10mm or 2x30x10mm



TECHNICAL DATA

break-proof plastic housing with
integrated terminal cover
self-extinguishing
insulation
protection
frequency
current limiting factor
thermal short-term current
dynamic short-term current
storage temperature
operating temperature
weight

UL94-V0
class E
IP 20
50...60Hz
FS 5
 $I_{th}=60I_n$
 $I_{dyn}=2,5 \times I_{th}$
-40...+80°C
-25...+50°C
0,35...0,50kg

Order Code	sec. 5A primary	burden class 0,5	burden class 1,0	burden class 3,0
TAC040100-05	100A			4VA
TAC040150-05	150A	1,5VA	3VA	5VA
TAC040200-05	200A	2VA	4VA	6VA
TAC040250-05	250A	3VA	6VA	9VA
TAC040300-05	300A	5VA	8VA	12VA
TAC040400-05	400A	10VA	15VA	20VA
TAC040500-05	500A	12VA	20VA	25VA
TAC040600-05	600A	15VA	20VA	25VA
TAC040750-05	750A	15VA	20VA	25VA
TAC040800-05	800A	18VA	25VA	30VA
TAC0401K0-05	1000A	20VA	25VA	30VA

Order Code	sec. 1A primary	burden class 0,5	burden class 1,0	burden class 3,0
TAC040100-01	100A			4VA
TAC040150-01	150A	1,5VA	3VA	5VA
TAC040200-01	200A	2VA	4VA	6VA
TAC040250-01	250A	3VA	6VA	9VA
TAC040300-01	300A	5VA	8VA	12VA
TAC040400-01	400A	10VA	15VA	20VA
TAC040500-01	500A	12VA	20VA	25VA
TAC040600-01	600A	15VA	20VA	25VA
TAC040750-01	750A	15VA	20VA	25VA
TAC040800-01	800A	18VA	25VA	30VA
TAC0401K0-01	1000A	20VA	25VA	30VA

Special Options

- Tropical Design
- Frequency 400Hz
- Special current measuring ranges (on demand)